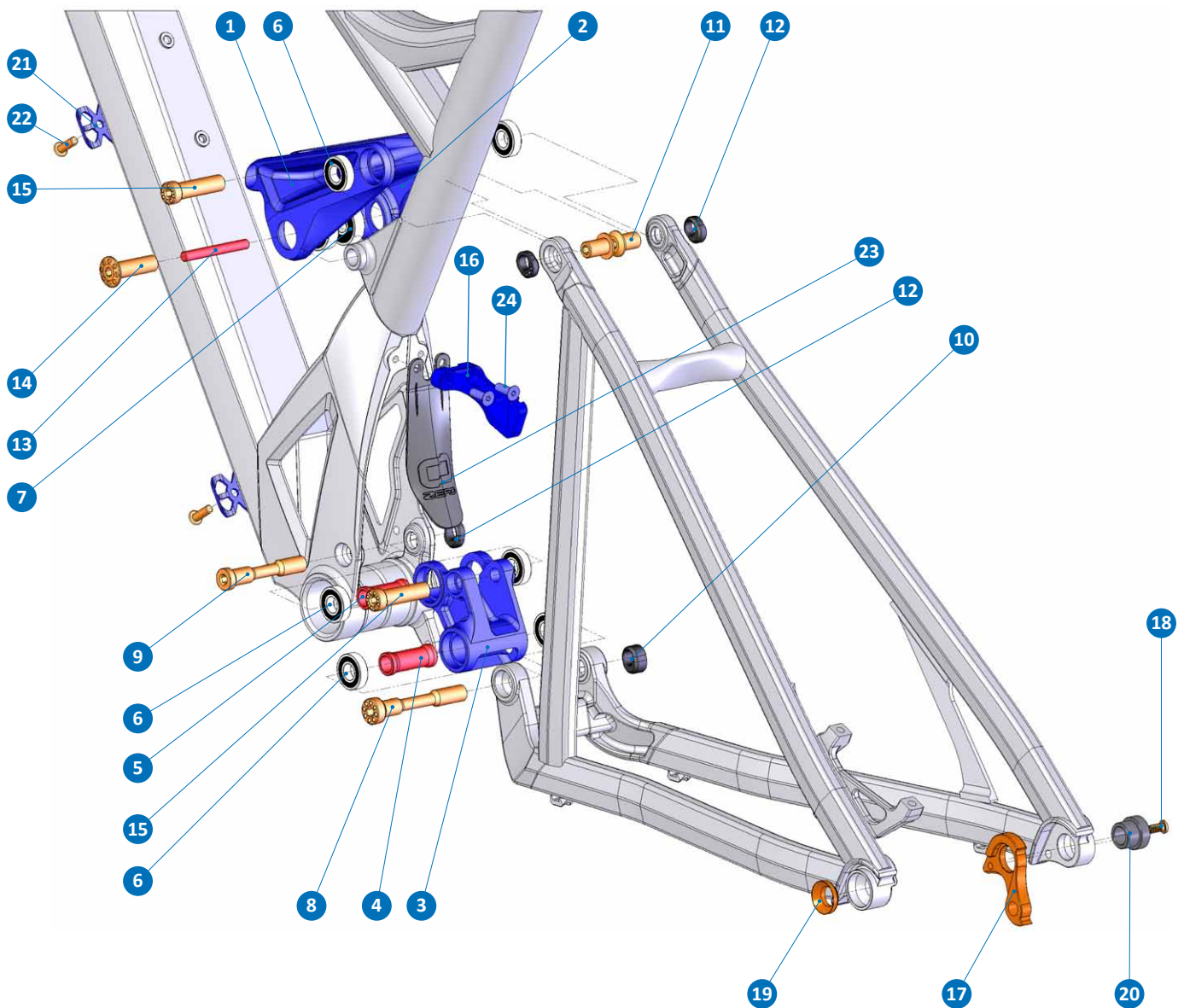


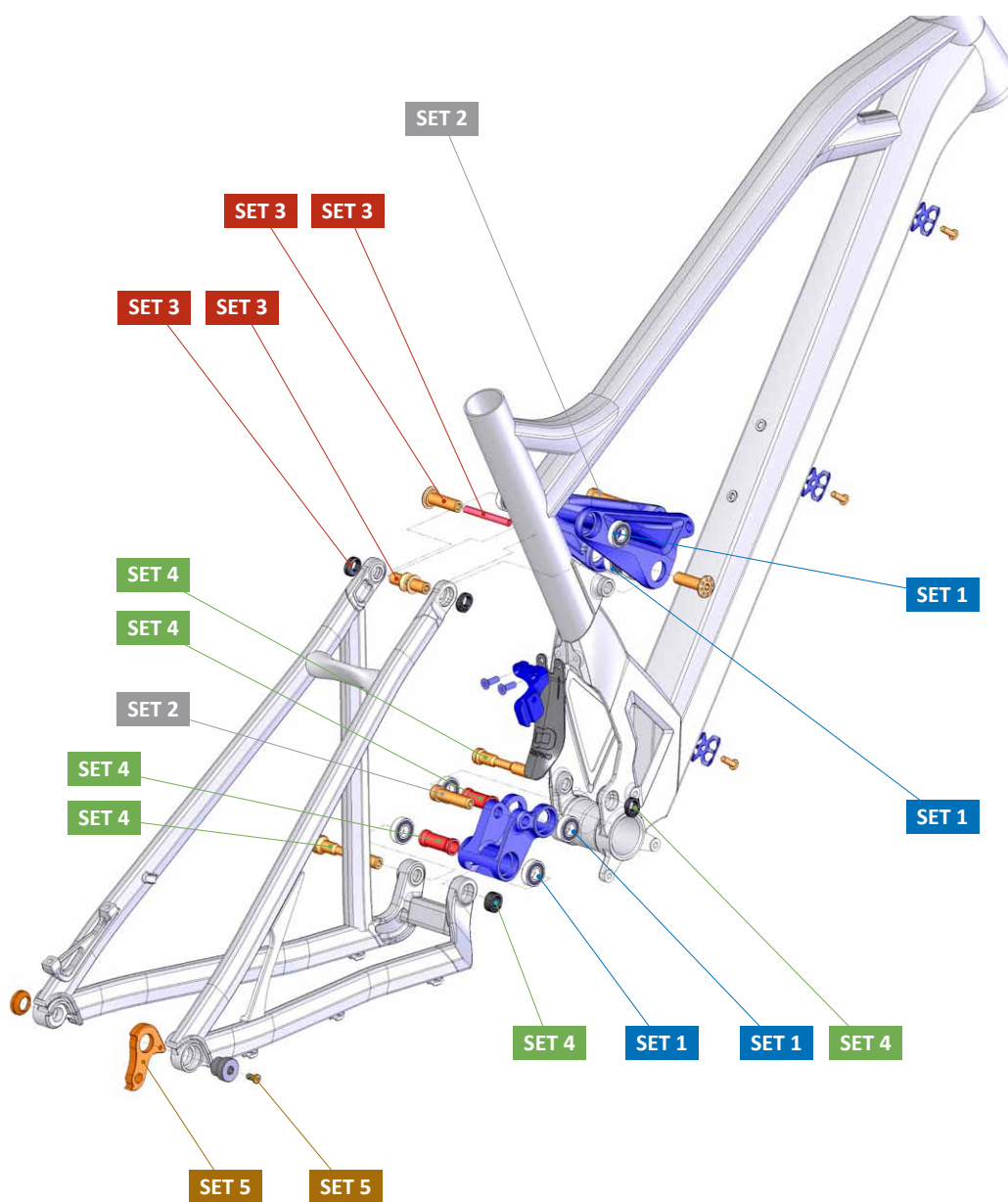
DUNE

YEAR: 2014



ITEM No.	DESCRIPTION	QTY.
1-2	UPPER LINK	1
3	LOWER LINK	1
4	SPACER D14x35	1
5	SPACER D14x32	1
6	BEARING 6900-2RS	6
7	BEARING 6000-2RS	2
8	PIVOT AXLE M10x63	1
9	PIVOT AXLE M10x55	1
10	AXLE NUT M10x8.85	1
11	PIVOT AXLE M10x15	2
12	AXLE NUT M10x5,75	3
13	SCREW AXLE M6x40	1

ITEM No.	DESCRIPTION	QTY.
14	PIVOT AXLE D10x32	2
15	BOLT M10x36	2
16	FD HOLDER	1
17	M062 HANGER	1
18	SCREW BOLT	1
19	WASHER	1
20	HUB NUT	1
21	CABLE HOLDER	3
22	SCREW BOLT M5x15L-R-S	3
23	SHOCK FENDER	1
24	SCREW BOLT M5x15L-M	2



PART NUMBER	DESCRIPTION	COMPONENTS
099.12001	SET 1: ZERO BEARING KIT	BEARING 6900-RS (x6) / BEARING 6000-2RS (x2)
099.12002	SET 2: SHOCK HARDWARE ZERO 1	BOLT M10x36 (x2)
099.12003	SET 3: UPPER LINK KIT 1	SCREW AXLE M6x40 (x1) / PIVOT AXLE M10x15 (x2) / PIVOT AXLE D10x32 (x2) / AXLE NUT M10x5,75 (x2)
099.13102	SET 4: LOWER LINK KIT 10	PIVOT AXLE M10x63 (x1) / AXLE NUT M10x8.85 (x1) / AXLE NUT M10x5,75 (x1) / SPACER D14x35 (x1) / SPACER D14x32 (x1) / PIVOT AXLE M10x55 (x1)
099.14101	SET 5: HANGER KIT 12*	M062 HANGER (x1) / SCREW BOLT (x1)
099.13109	SET 6: HANGER KIT 10**	M053 HANGER (x1) / M4x8L-M SCREW BOLTS (x2)
099.14000	SHOCK FENDER 2014	
099.14001	FD HOLDER DUNE FOXY 2014	

\* Dune \*\* Dune R, Dune RR and Dune XR