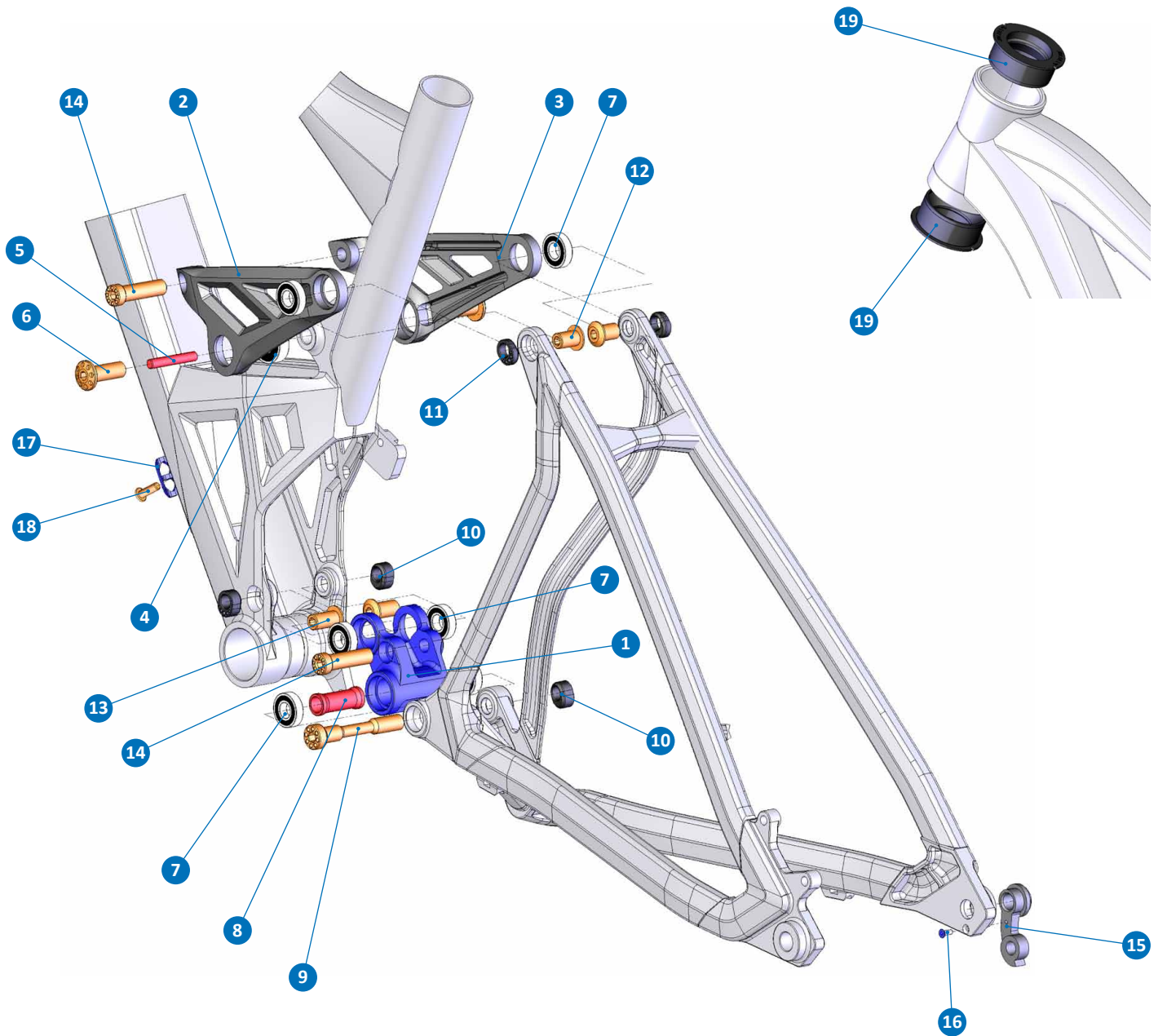


ZENITH

YEAR: 2011 - 2012

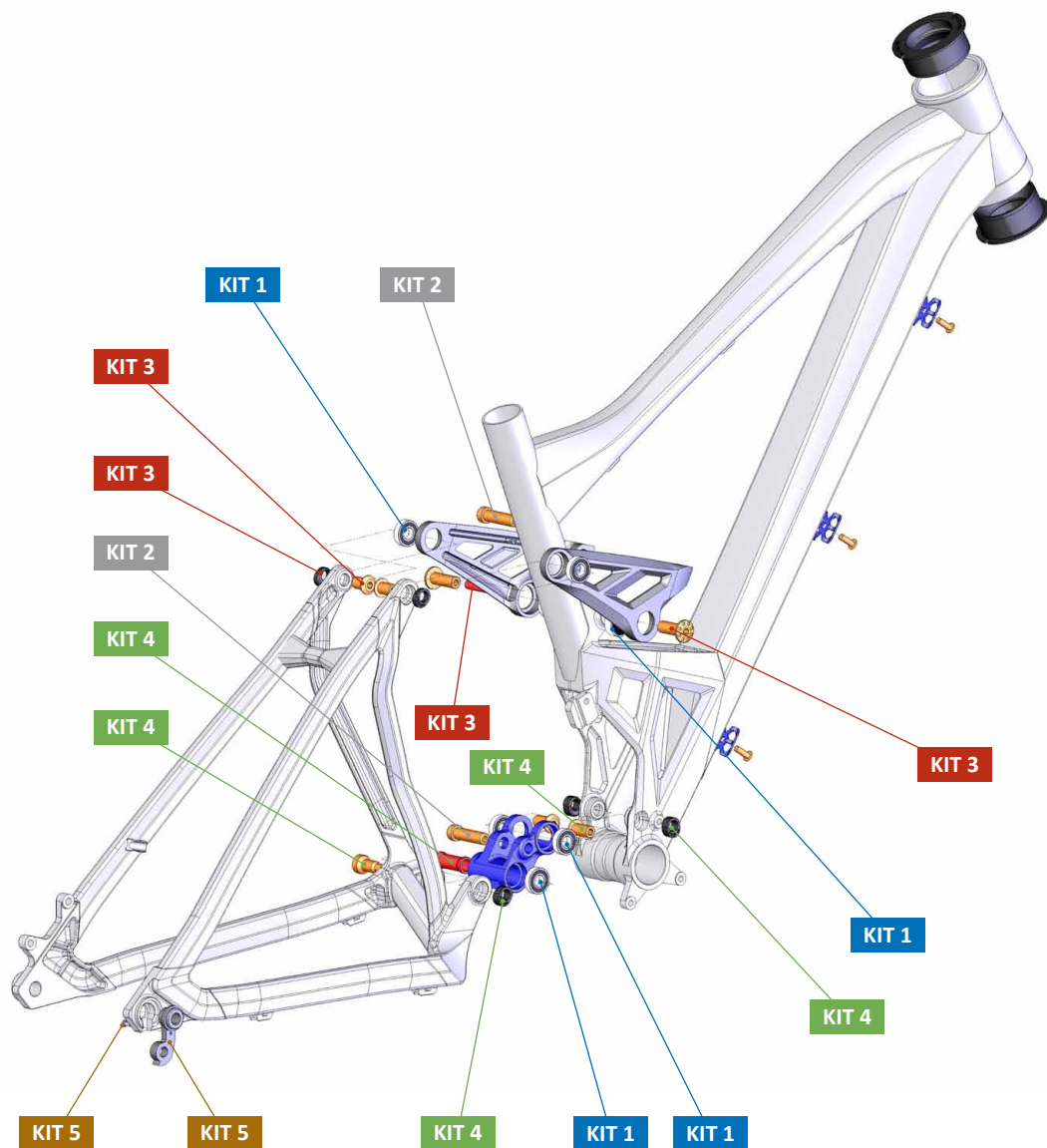


ITEM No.	DESCRIPTION	QTY.
1	LOWER LINK	1
2 - 3	UPPER LINK	1
4	BEARING 6000-2RS	2
5	M6x40	1
6	AXLE D10x28	2
7	BEARING 6900-RS	6
8	SPACER D14x35	1
9	PIVOT AXLE M10x63	1
10	AXLE NUT M10x8.85	3

ITEM No.	DESCRIPTION	QTY.
11	AXLE NUT M10x5.75	2
12	PIVOT AXLE M10x15	2
13	PIVOT AXLE M10x18.5	2
14	SCREW M10x36	2
15	M047 HANGER	1
16	M3x8L-M	1
17	CABLE HOLDER	3
18	M5x15L-R-S	3
19	ADJUSTABLE GEOMETRY CAP	2

ZENITH

YEAR: 2011 - 2012



PART NUMBER	DESCRIPTION	COMPONENTS
099.12001	KIT 1: ZERO BEARING KIT	BEARING 6900-RS (x6) / BEARING 6000-2RS (x2)
099.12002	KIT 2: SHOCK HARDWARE ZERO 1	BOLT M10x36 (x2)
099.12004	KIT 3: UPPER LINK KIT 2	AXLE D10x28 (x2) / PIVOT AXLE M10x15 (x2) / AXLE NUT M10x5.75 (x2) / M6x40
099.12007	KIT 4: LOWER LINK KIT 2	SPACER D14x35 / PIVOT AXLE M10x63 / PIVOT AXLE M10x18.5 (x2) / AXLE NUT M10x8.85 / AXLE NUT M10x5.75 (x2)
099.12014	KIT 5: HANGER KIT 2	M047 HANGER / M3x8L-M
099.12015	ZENITH GEOMETRY KIT M/L	HS +- 1° (X2) / HS +- 2° (X2)
099.12010	ZENITH GEOMETRY KIT XL	HS +- 1° (X2) / HS +- 2° (X2)
099.12109	PIVOT AXLE M10x63	PIVOT AXLE M10x63
099.12114	AXLE NUT M10x5.75	AXLE NUT M10x5.75
099.12113	AXLE NUT M10x8.85	AXLE NUT M10x8.85
099.12106	PIVOT AXLE M10x15	PIVOT AXLE M10x15
099.12105	PIVOT AXLE M10x18.5	PIVOT AXLE M10x18.5
099.12104	SCREW M10x36	BOLT M10x36